



## APPLICATIONS

Live Sound Reinforcement  
Theaters  
Houses of Worship  
Dance Clubs  
Cruise Ships  
Entertainment Venues  
Cinema

## FEATURES

kiT Rigging Corners  
High Output  
LF Device: 15in. (381mm)  
HF Device:  
Exit: 2in. (50.8mm)  
Voice Coil Diam: 3 in. (76.2mm)  
Vertical Pole Mount Package  
Rotatable 90° H x 40° V HF  
Durable Polyurea Coating  
Active/Passive Mode Switchable  
(2) EP-4 Connectors &  
(1) 4-Position Terminal Strip

## GENERAL DESCRIPTION

kiT15 is a full range, high output loudspeaker ideal for speech and music reproduction. The kiT15 is one of Clair Brothers most versatile full range speakers.

Exceptional intelligibility, high output performance and durability make the kiT15 an excellent choice for virtually any indoor or outdoor application.

The kiT15 has been engineered for optimal individual performance or as part of a multiple cabinet system with added flexibility to mount vertically or horizontally, or on pole mount with subwoofer base.

The cabinet features a custom 15" transducer and one 2" exit/3" voice coil diameter+ high frequency driver coupled to a 90° H x 40° V (or 60° H x 40° V) rotatable constant directivity horn that delivers naturally smooth uniform coverage in both near-field and medium throw applications.

The standard model includes a rear input connector and control panel that features one male EP-4 and one female EP-4 connector as well as a 4-position terminal strip. The cabinet may be operated in either two-way active or passive modes, selected by an external pair of jumpers.

A simplified installation version features only terminal strip input; similarly a weather resistant (WR) version is available with a water-tight cable pre-installed.

For a cabinet of its size the kiT15 offers extremely efficient low-end response to 63Hz.

As with all Clair Brothers products, the kiT15 is constructed of the finest Baltic birch and finished with a rugged polyurea coating to withstand the most demanding conditions.

The speaker grille is constructed of high grade 14 gauge perforated steel with a powder coated finish.

## OPTIONS & ACCESSORIES

### Rigging Accessories

kiT15-i – Installation Model w/Terminal Strip

kiT15-PLUS – Self Powered Model with Amp + DSP

kiT15-WR – Weather Resistant Model

60° H x 40° V Rotatable Horn

RC-kiT15 – Clamshell ATA-style road case (2x) kiT15

kiT-Caddy – Road case for (2x) kiT, + Poles,  
+ Rigging Accessory Storage Compartment



## AUDIO SPECIFICATIONS

Loudspeaker Type	Mobile	Two-Way Active / Passive
Frequency Response (+/- 2dB)		58Hz-20kHz
Recommended Power Amplifier		1000-1200W @ 8 Ohms
Sensitivity (1 Watt @ 1 Meter)	LF	98 dB SPL
	HF	100 dB SPL
Maximum Output	Cont.	128 dB SPL
	Peak	131 dB SPL
Drivers	LF	(1) 15 in. (381mm)
	HF	(1) Exit 2 in. (50.8mm); VC diameter 3.0 (76.2mm)
Nominal Impedance	LF	8 Ohms
	HF	16 Ohms
Power Handling	LF	700W Cont.
	HF	150W Cont.
Dispersion	Nominal -6dB	90° H x 40° V (Rotatable)
	Optional	60° H x 40° V (Rotatable)
Input Connections	Standard	(2) EP-4 Connectors (1 Male, 1 Female) & (1) Four-Position Terminal Strip
	Install Option	(1) Four-Position Terminal Strip

### Passive to Active Mode Instructions

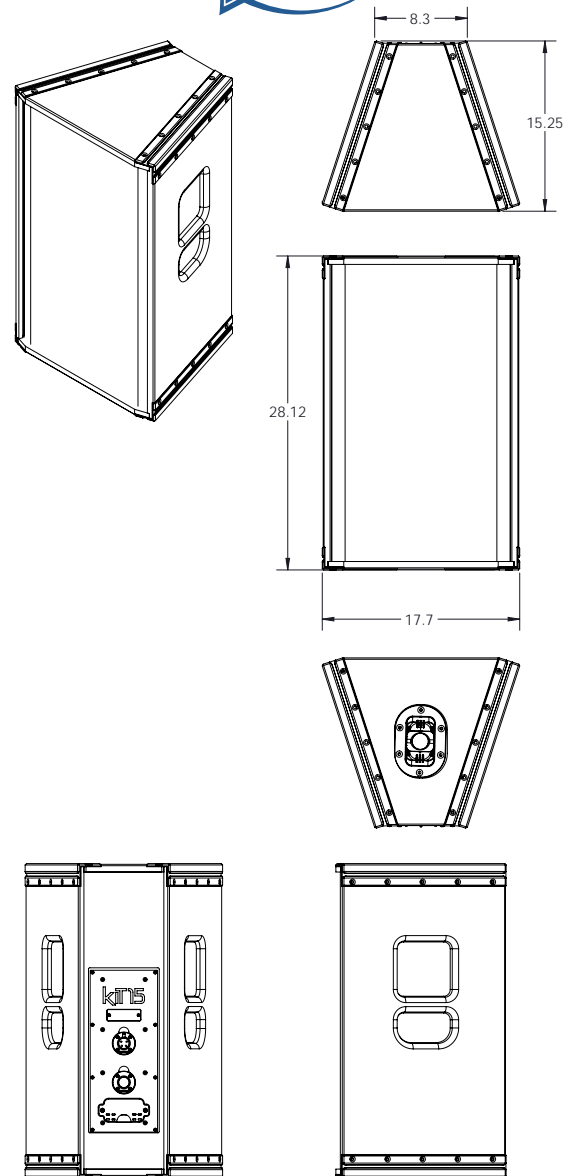
1. Remove terminal strip cover on rear of kit15 speaker cabinet
2. Loosen all 4x terminal screws
3. Remove 2x jumpers (connecting Low- to Hi- AND Low+ to Hi+)
4. Save jumpers for future use
5. Replace wire cover

## MECHANICAL SPECIFICATIONS

Enclosure	Shell	18mm, 13-Ply Baltic Birch
	Finish	Durable Polyurea Coating
Grille		Perforated Steel, Foam Backed
Dimensions	Height	28.12 in. (714.6mm)
	Front Width	17.70 in. (449.6mm)
	Rear Width	8.30 in. (210.8mm)
	Depth	15.25 in. (387.4mm)
Weight		76 lbs. (34.5kg)
Shipping Weight		93 lbs. (42.2kg)

Note: All wattage figures are calculated using the rated nominal impedance.

Clair Brothers products are designed to perform optimally by utilizing factory recommended proprietary DSP settings.



## ARCHITECT AND ENGINEER SPECIFICATIONS

The loudspeaker shall be a two-way active/passive (externally switchable) system featuring a total of two drivers. The low frequency section shall contain one 15" driver capable of handling 700 watts of pink noise with a 6 dB crest factor for 8 hours (as per EIA RS-426-A standard). The high frequency section shall contain a single 2" exit compression driver with a 3" diaphragm and shall be attached to a 90° H x 40° V (Optionally 60° V x 40° H) constant-directivity horn. The driver shall be capable of handling 150 watts (1 kHz -10 kHz) of pink noise with a 6 dB crest factor for 2 hours (as per AES-1984 and ANSI S4.26-1984 standards). The enclosure shall be constructed of 18mm, 13-ply Baltic birch and shall be finished with a durable polyurea coating. Dimensions shall be 28.12" high, 17.70" front width tapering 18° to 8.30" rear width, and 15.25" deep. The total cabinet weight shall be 76 lbs (34.5kg). The loudspeaker shall be the Clair Brothers kit15.

### kit15 Active Pin Configuration

EP-4 PIN	USE
1	Low (-)
2	Low (+)
3	High (-)
4	High (+)
Terminal Strip	USE
Black	Low (-)
Red	Low (+)
Black	High (-)
White	High (+)

### kit15 Passive Pin Configuration

EP-4 PIN	USE
1 & 3	(-)
2 & 4	(+)
Terminal Strip	USE
Black	Low (-)
Black	High (-)
White	High (+)
Red	Low (+)



### MODES OF USE

